

# POLAM-ELTA Sp. z o.o.

LED DIODES  
LED CONTROL LAMPS

[www.polamelta.com](http://www.polamelta.com)

e-mail: [polamelta@polamelta.com.pl](mailto:polamelta@polamelta.com.pl)

Jerozolimskie Avenue 202  
02-486 Warsaw, POLAND  
tel. (+48) 22-837-22-07  
(+48) 503-75-75-73



## COMPLIANCE DECLARATION NR 8/03/2024

**Producer:** POLAM-ELTA Sp. z o.o.  
Jerozolimskie Avenue 202  
02-486 Warsaw

**KRS Nr:** 0000190790  
**REGON:** 001416903

We declare with a full responsibility that **LED signal lamps T6.8** we manufacture:

**LB , LG , LO , LR , LY , LW** comply requirements imposed by:

- 1. Low Voltage Directive** **LVD 2014/35/UE**
- 2. Directive on the essential requirements for the restriction of the use of certain hazardous substances in electrical and electronic equipment** **ROHS 2011/65/UE**

**3. The standard norms (relating to the particular parts of a product):**

- PN – EN 60061-1 : 2001 Lamp caps and holders together with gauges for the control of interchangeability and safety
- PN – EN 63000 : 2018 Technical documentation for the assessment of electrical and electronic products with regard to the reduction of hazardous substances

**The year of obtaining CE sign: 24**

Warszawa 01-03-2024

.....  
*Place and date of issue*

**PREZES ZARZĄDU**

*Ireneusz Tonder*

.....  
*Name, position and signature of authorized person*

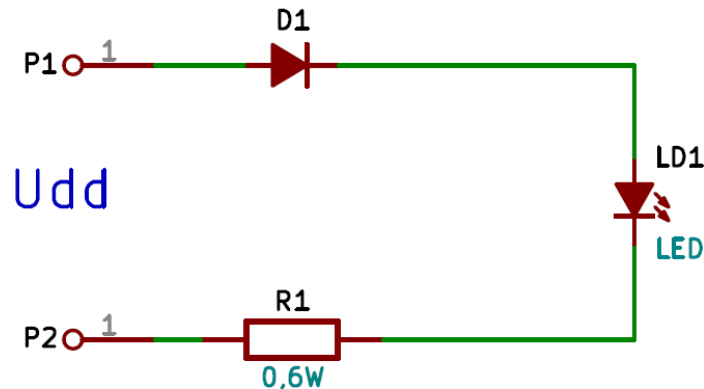
## 1. Product description:

The declaration is concerned about LED signal lamps produced for a number of voltage ranging 24V-AC - 230V-AC (24V; 30V; 48V; 60V) and 24V-DC – 220V-DC (24V; 30V; 48V; 60V). The lamps are designed for electric accessories use.

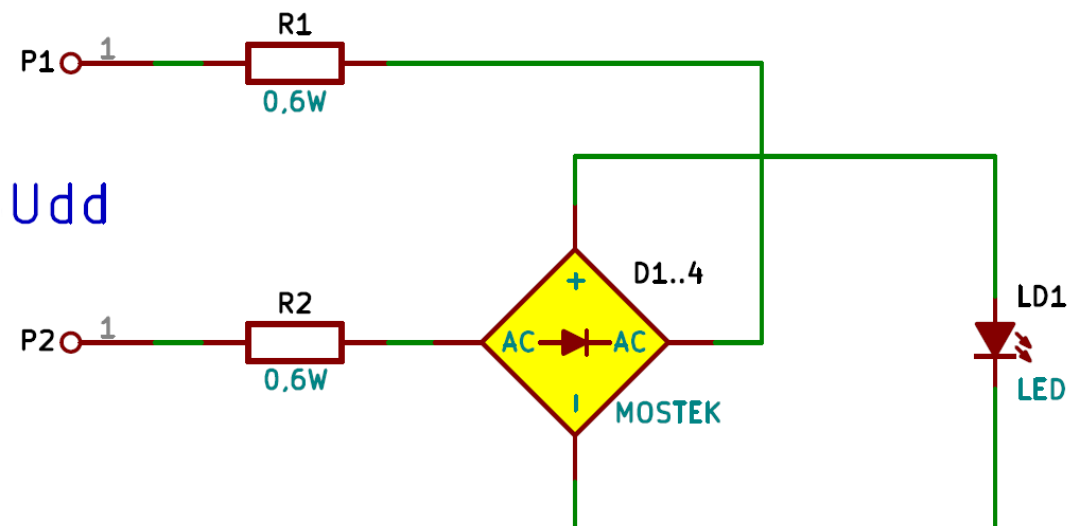
## 2. Technological documentation:

All the signal LED lamps are based on the following circuitry

### Half-wave rectifier (standard version)



### Full-wave rectifier (version for a special order with a higher price)



For 230V-AC voltage, power consumption is 0,5 W, for 24V-AC, it is 0,2 W and for 24V-DC, it is 0,5 W.

- signal lamp T6.8

