

POLAM-ELTA Sp. z o.o.

LED DIODES
LED CONTROL LAMPS

www.polamelta.com

e-mail: polamelta@polamelta.com.pl

Jerozolimskie Avenue 202
02-486 Warsaw, POLAND
tel. (+48) 22-837-22-07
(+48) 503-75-75-73



COMPLIANCE DECLARATION NR 7/03/2024

Producer: POLAM-ELTA Sp. z o.o.
Jerozolimskie Avenue 202
02-486 Warsaw

KRS Nr: 0000190790
REGON: 001416903

We declare with a full responsibility that **LED signal lamps T5.5** we manufacture:

LB , LG , LO , LR , LY , LW comply requirements imposed by:

- 1. Low Voltage Directive** **LVD 2014/35/UE**
- 2. Directive on the essential requirements for the restriction of the use of certain hazardous substances in electrical and electronic equipment** **ROHS 2011/65/UE**

3. The standard norms (relating to the particular parts of a product):

- PN – EN 60061-1 : 2001 Lamp caps and holders together with gauges for the control of interchangeability and safety
- PN – EN 63000 : 2018 Technical documentation for the assessment of electrical and electronic products with regard to the reduction of hazardous substances

The year of obtaining CE sign: 24

Warszawa 01-03-2024

.....
Place and date of issue

1. Product description:

PREZES ZARZĄDU

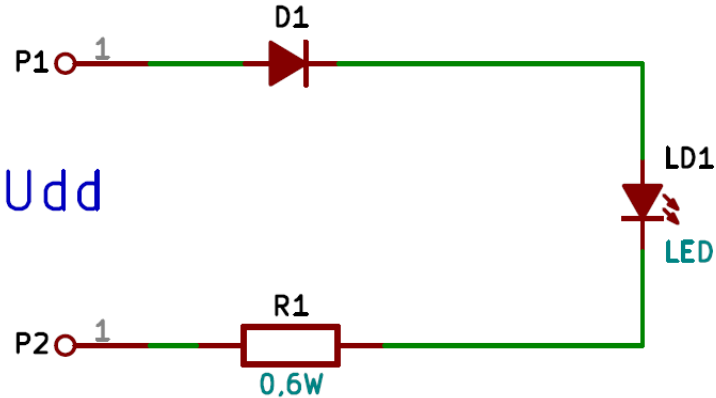
Ireneusz Tonder

.....
Name, position and signature of authorized person

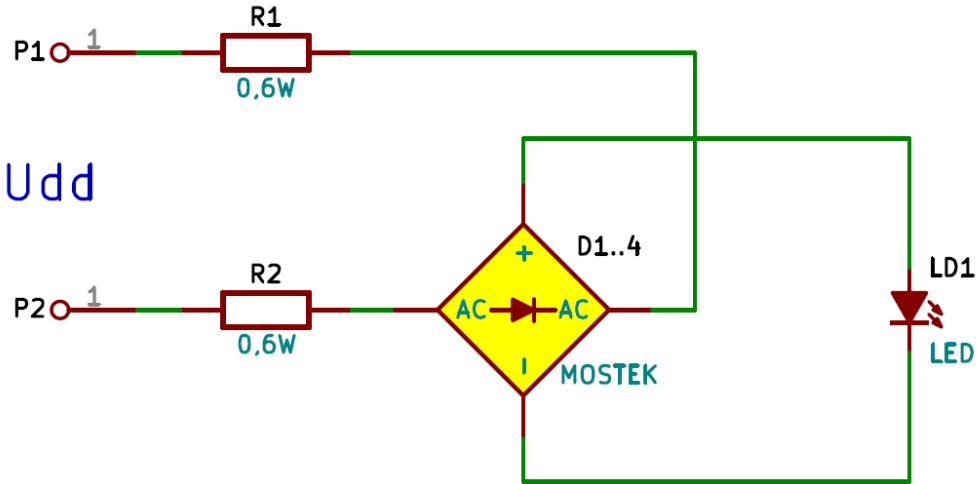
The declaration is concerned about LED signal lamps produced for a number of voltage ranging 24V-AC - 60V-AC (24V; 30V; 48V; 60V) and 24V-DC – 60V-DC (24V; 30V; 48V; 60V). The lamps are designed for electric accessories use.

2. Technological documentation:

All the signal LED lamps are based on the following circuitry
Half-wave rectifier (standard version)



Full-wave rectifier (version for a special order with a higher price)



For 60V-DC voltage, power consumption is 0,5 W, for 24V-AC, it is 0,2 W and for 24V-DC, it is 0,5 W.

- signal lamp T5.5

