

# POLAM-ELTA Sp. z o.o.

LED DIODES  
LED CONTROL LAMPS

[www.polamelta.com](http://www.polamelta.com)

e-mail: [polamelta@polamelta.com.pl](mailto:polamelta@polamelta.com.pl)

Jerozolimskie Avenue 202  
02-486 Warsaw, POLAND  
tel. (+48) 22-837-22-07  
(+48) 503-75-75-73



## COMPLIANCE DECLARATION NR 6/03/2024

**Producer:** POLAM-ELTA Sp. z o.o.  
Jerozolimskie Avenue 202  
02-486 Warsaw

**KRS Nr:** 0000190790  
**REGON:** 001416903

We declare with a full responsibility that **LED signal lamps E14** we manufacture:

**LB , LG , LO , LR , LY , LW** (parameters in accordance with catalogue data) comply requirements imposed by:

1. **Low Voltage Directive** **LVD 2014/35/UE**
2. **Directive on the essential requirements for the restriction of the use of certain hazardous substances in electrical and electronic equipment** **ROHS 2011/65/UE**
3. **The standard norms (relating to the particular parts of a product):**
  - PN – EN 60061-1 : 2001 **Lamp caps and holders together with gauges for the control of interchangeability and safety**
  - PN – EN 63000 : 2018 **Technical documentation for the assessment of electrical and electronic products with regard to the reduction of hazardous substances**

**The year of obtaining CE sign: 24**

Warszawa 01-03-2024

.....  
*Place and date of issue*

**PREZES ZARZĄDU**

*Ireneusz Tonder*

.....  
*Name, position and signature of authorized person*

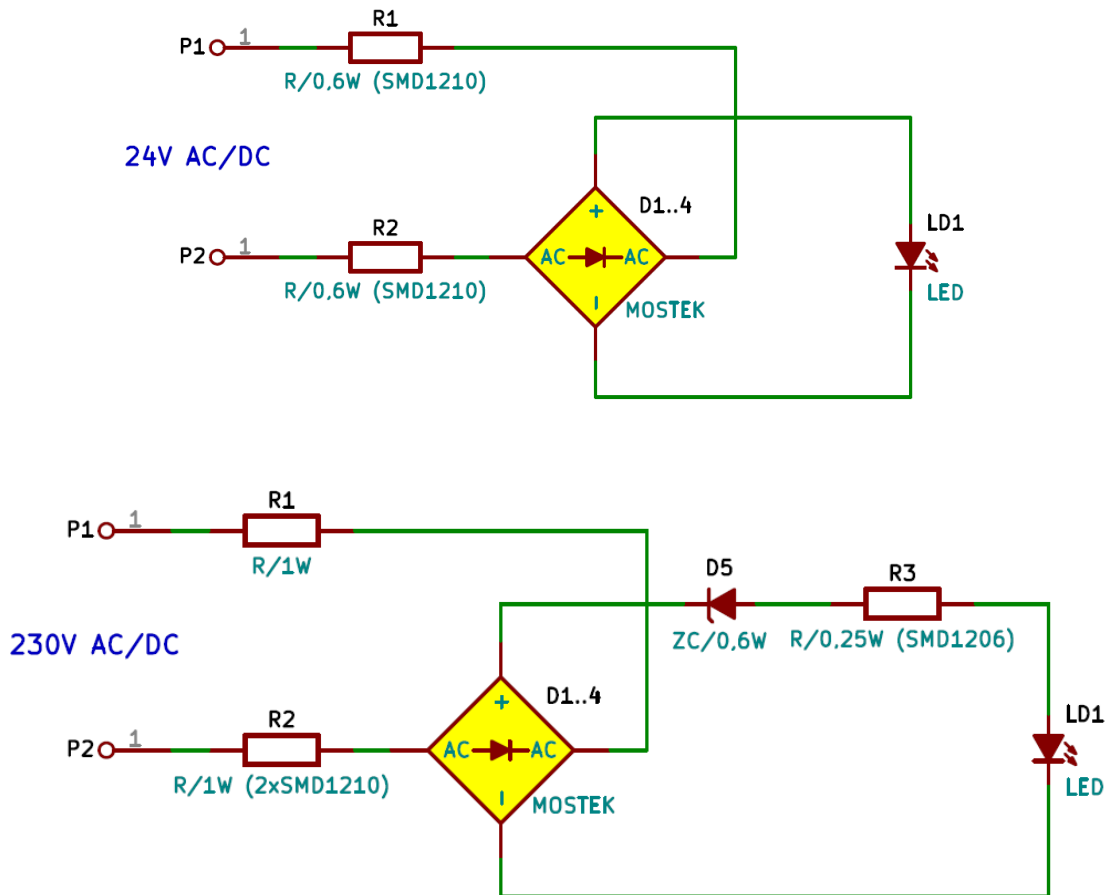
## 1. Product description :

The declaration is concerned about LED signal lamps produced for a number of voltage ranging 24V-230V – AC (24 V; 30 V; 48V; 60V; 110V-130V; 220V; 230V). The lamps are designed for electric accessories use.

## 2. Technological documentation:

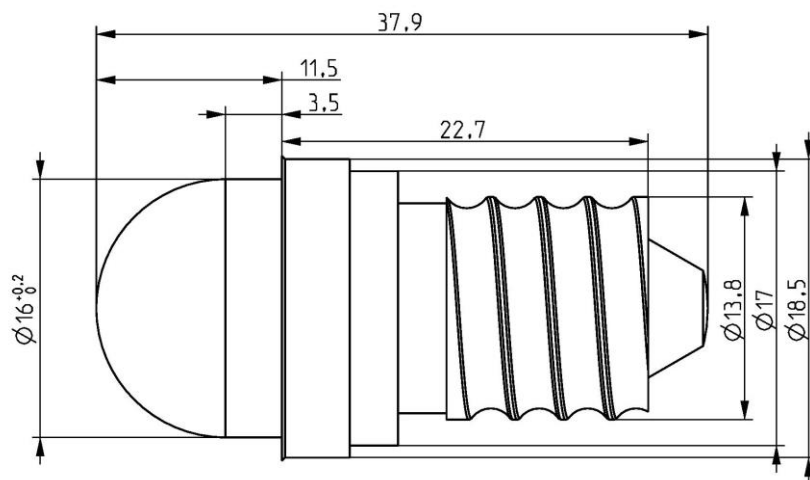
All the signal LED lamps are based on the following circuitry:

### Full-wave rectifier



For 230V-AC/DC voltage, power consumption is 1 W and for 24V-AC/DC it is 0,5 W.

**- signal lamp E14**



**LED control lamps E14**



**Technical parameters of lamps (24V-AC/DC)**

color	luminosity (mcd)	wave length (nm)	power
red [R] mat	5500-7500	630	0,5 W
green [G] mat	7000-8000	530	0,5 W
yellow [Y] mat	5000-6000	590	0,5 W
orange [O] mat	7000-8000	610	0,5 W
blue [B] mat	2000-3000	470	0,5 W
white	7000-9000	4500 K	0,5 W

## Technical parameters of lamps (230V-AC/DC)

<b>color</b>	<b>luminosity (mcd)</b>	<b>wave lenght (nm)</b>	<b>power</b>
red [R] mat	5000-6000	630	1 W
green [G] mat	4000-5000	530	1 W
yellow [Y] mat	2000-3000	590	1 W
orange [O] mat	2500-3500	610	1 W
blue [B] mat	2000-3000	470	1 W
white	4000-6000	4500 K	1 W

*Update date : 01-03-2024*