

POLAM-ELTA Sp. z o.o.

LED DIODES
LED CONTROL LAMPS

www.polamelta.com

e-mail: polamelta@polamelta.com.pl

Jerozolimskie Avenue 202
02-486 Warsaw, POLAND
tel. (+48) 22-837-22-07
(+48) 503-75-75-73



COMPLIANCE DECLARATION NR 12/03/2024

Producer: POLAM-ELTA Sp. z o.o.
Jerozolimskie Avenue 202
02-486 Warsaw

KRS Nr: 0000190790
REGON: 001416903

We declare with a full responsibility that **LED hermetic signal lamps ϕ 16** we manufacture:

LB , LG , LO , LR , LY , LW , LRG , LRY , LGY , LRGB , LRGY (parameters in accordance with catalogue data) comply requirements imposed by:

- 1. Low Voltage Directive** **LVD 2014/35/UE**
- 2. Directive on the essential requirements for the restriction of the use of certain hazardous substances in electrical and electronic equipment** **ROHS 2011/65/UE**
- 3. The standard norms (relating to the particular parts of a product):**

- PN – EN 60061-1 : 2001 Lamp caps and holders together with gauges for the control of interchangeability and safety
- PN – EN 50525-1 : 2011 Electrical cables – low-voltage power cables with a rated voltage not exceeding 450/750 V (Uo/U)
- Part 1: General requirements
- PN – EN 63000 : 2019 Technical documentation for the assessment of electrical and electronic products with regard the reduction of hazardous substances

The year of obtaining CE sign: 24

Warszawa 01-03-2024

.....
Place and date of issue

PREZES ZARZĄDU

Ireneusz Tonder

.....
Name, position and signature of authorized person

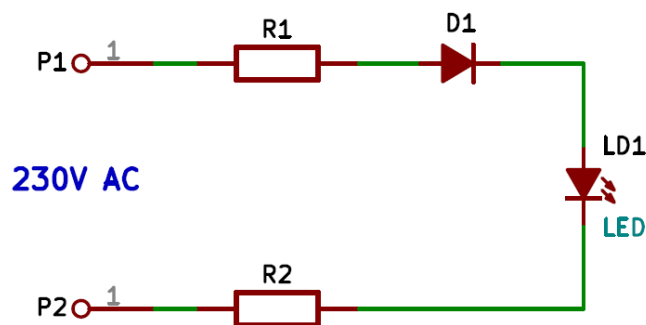
1. Product description:

The declaration is concerned about LED signal lamps produced for a number of voltage ranging 24V-AC - 400V-AC (24V; 30V; 48V; 60V; 110-130V; 230V; 400V) and 24V-DC – 220V-DC (24V; 30V; 48V; 60V; 110-130V; 220V). The lamps are designed for electric accessories use.

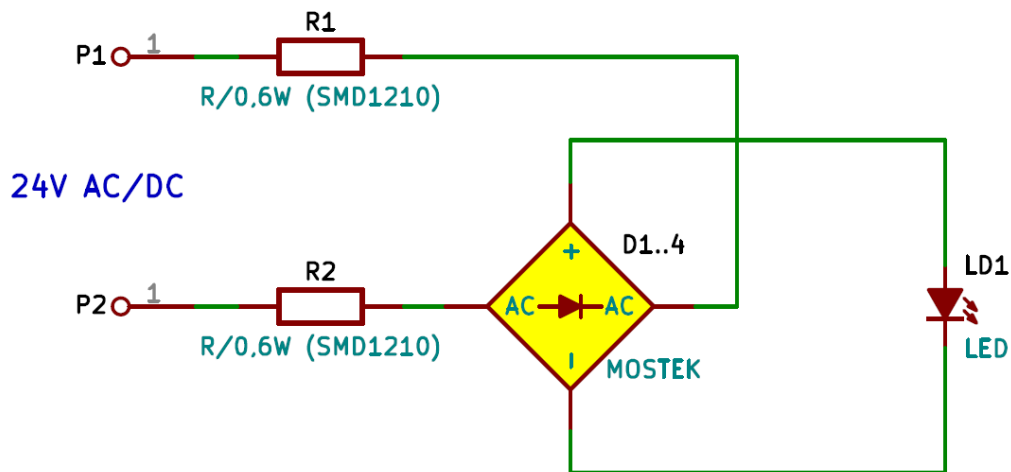
2. Technological documentation:

All the signal LED lamps are based on the following circuitry

Half-wave rectifier



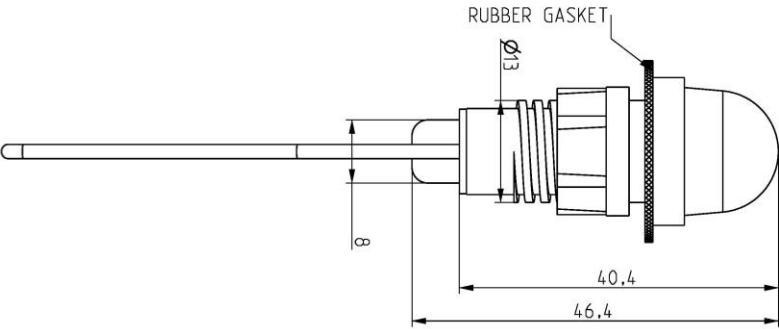
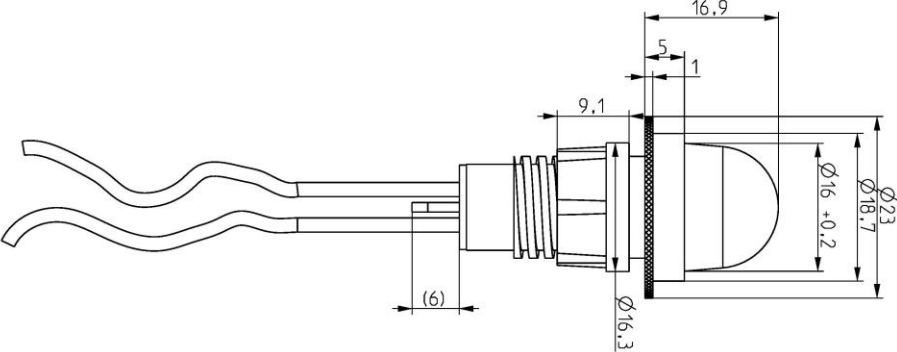
Full-wave rectifier



The elements of casings are made from ABS material. Electric connections are made on glass-epoxy laminate of 1 mm ply. The main wire LGY0,5 is of 0,5 mm² section 450V / 750 V or connectors j 2.8. The wires length in the standard is 30 cm. Any length of wires in the range of 0,05 – 10 m. is also possible on special order. Tightness level lamp: IP67 only from the forehead or IP67 full. Ambient temperature: -40°C to +70°C.

For 230 V-AC voltage, power consumption is 0,8 W and for 24V-AC/DC, it is 0,5 W.

- hermetic signal lamp $\phi 16$



HERMETIC LED CONTROL LAMPS $\phi 16$



Technical parameters of lamps (230V-AC)

color	luminosity (mcd)	wave lenght (nm)	power
standard red [R] mat	340-360	630	0,8 W
super red [R] mat	3200-3400	628	0,8 W
green [G] mat	240-260	530	0,8 W
yellow [Y] mat	220-240	590	0,8 W
orange [O] mat	350-370	610	0,8 W
blue [B] mat	110-130	470	0,8 W
white [W] mat	400-450	4500 K	0,8 W

mat : $201/2 = 180^{\circ}$, P = 0,8 W

Technical parameters of lamps (24V-AC/DC)

color	luminosity (mcd)	wave lenght (nm)	power
standard red [R] mat	1400-1600	630	0,5 W
super red [R] mat	6000-7000	628	0,5 W
green [G] mat	1000-1200	530	0,5 W
yellow [Y] mat	1000-1200	590	0,5 W
orange [O] mat	1200-1400	610	0,5 W
blue [B] mat	600-700	470	0,5 W
white [W] mat	1700-1900	4500 K	0,5 W

mat : $201/2 = 180^{\circ}$, P = 0,5 W

Update date : 01-03-2024