

POLAM-ELTA Sp. z o.o.

LED DIODES
LED CONTROL LAMPS

www.polamelta.com

e-mail: polamelta@polamelta.com.pl

Jerozolimskie Avenue 202
02-486 Warsaw, POLAND
tel. (+48) 22-837-22-07
(+48) 503-75-75-73



COMPLIANCE DECLARATION NR 2/03/2024

Producer: POLAM-ELTA Sp. z o.o.
Jerozolimskie Avenue 202
02-486 Warsaw

KRS Nr: 0000190790
REGON: 001416903

We declare with a full responsibility that **LED signal lamps BA9S** we manufacture:

LB , LG , LO , LR , LY , LW (parameters in accordance with catalogue data) comply requirements imposed by:

- 1. Low Voltage Directive** **LVD 2014/35/UE**
- 2. Directive on the essential requirements for the restriction of the use of certain hazardous substances in electrical and electronic equipment** **ROHS 2011/65/UE**
- 3. The standard norms (relating to the particular parts of a product):**
 - PN – EN 60061-1 : 2001 **Lamp caps and holders together with gauges for the control of interchangeability and safety**
 - PN – EN 63000 : 2018 **Technical documentation for the assessment of electrical and electronic products with regard to the reduction of hazardous substances**

The year of obtaining CE sign: 24

Warszawa 01-03-2024

.....
Place and date of issue

PREZES ZARZĄDU

Ireneusz Tonder

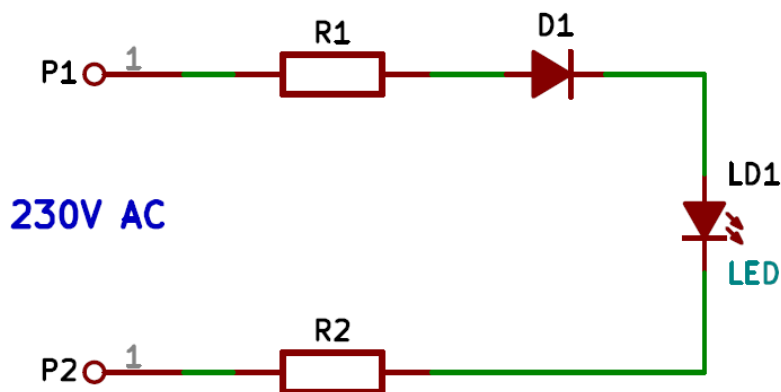
.....
Name, position and signature of authorized person

1. Product description:

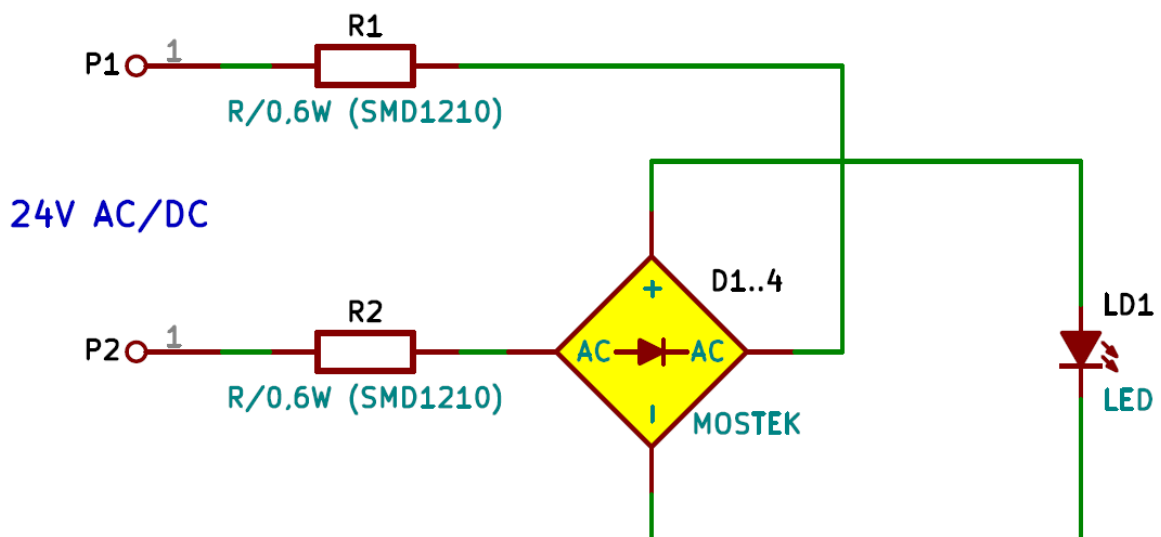
The declaration is concerned about LED signal lamps produced for a number of voltage ranging 24V-AC - 400V-AC (24V; 30V; 48V; 60V; 110-130V; 230V; 400V) and 24V-DC – 220V-DC (24V; 30V; 48V; 60V; 110-130V; 220V). The lamps are designed for electric accessories use.

2. Technological documentation:

All the signal LED lamps are based on the following circuitry
Half-wave rectifier (version for 220V-DC, 230V-AC)

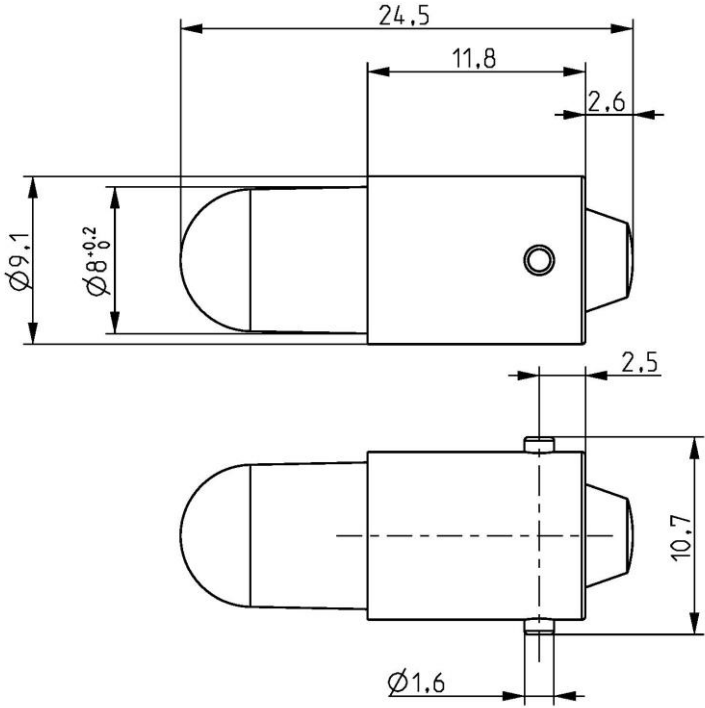


Full-wave rectifier (version for 12V-AC/DC, 24V-AC/DC)



For 230 V-AC voltage, power consumption is 0,8 W, for 24V-AC, it is 0,25 W and for 24V-DC, it is 0,5 W.

- signal lamp BA9S



LED CONTROL LAMPS BA9S



Technical parameters of lamps (24V-AC/DC)

| color | luminosity AC (mcd) | luminosity DC (mcd) | wave lenght (nm) | power AC/DC |
|----------------|---------------------|---------------------|------------------|--------------|
| red [R] mat | 700-800 | 1000-1500 | 630 | 0,25 / 0,5 W |
| green [G] mat | 800-1000 | 2200-2400 | 530 | 0,25 / 0,5 W |
| yellow [Y] mat | 800-1000 | 1100-1250 | 590 | 0,25 / 0,5 W |
| orange [O] mat | 600-800 | 650-750 | 610 | 0,25 / 0,5 W |
| blue [B] mat | 300-400 | 750-850 | 470 | 0,25 / 0,5 W |
| white [W] mat | 2000-2500 | 4000-5000 | 4500 K | 0,25 / 0,5 W |

Technical parameters of lamps (230V-AC)

| color | luminosity (mcd) | wave lenght (nm) | power |
|----------------|------------------|------------------|-------|
| red [R] mat | 200-250 | 630 | 0,8 W |
| green [G] mat | 400-500 | 530 | 0,8 W |
| yellow [Y] mat | 250-300 | 590 | 0,8 W |
| orange [O] mat | 150-170 | 610 | 0,8 W |
| blue [B] mat | 90-100 | 470 | 0,8 W |
| white [W] mat | 1100-1600 | 3000 K | 0,8 W |

Data aktualizacji : 01-03-2024