

POLAM-ELTA Sp. z o.o.

LED DIODES
LED CONTROL LAMPS

www.polamelta.com

e-mail: polamelta@polamelta.com.pl

Jerozolimskie Avenue 202
02-486 Warsaw, POLAND
tel. (+48) 22-837-22-07
(+48) 503-75-75-73



COMPLIANCE DECLARATION NR 4/03/2024

Producer: POLAM-ELTA Sp. z o.o.
Jerozolimskie Avenue 202
02-486 Warsaw

KRS Nr: 0000190790
REGON: 001416903

We declare with a full responsibility that **specialized LED bulbs LB , LG , LO , LR , LY , LW with BA15D cap** we manufacture comply requirements imposed by:

- 1. Low Voltage Directive** **LVD 2014/35/UE**
- 2. Directive on the essential requirements for the restriction of the use of certain hazardous substances in electrical and electronic equipment** **ROHS 2011/65/UE**
- 3. The standard norms (relating to the particular parts of a product):**
 - PN – EN 60061-1 : 2001 Lamp caps and holders together with gauges for the control of interchangeability and safety
 - PN – EN 63000 : 2018 Technical documentation for the assessment of electrical and electronic products with regard to the reduction of hazardous substances

The year of obtaining CE sign: 24

Warszawa 01-03-2024

.....
Place and date of issue

PREZES ZARZĄDU

Ireneusz Tonder

.....
Name, position and signature of authorized person

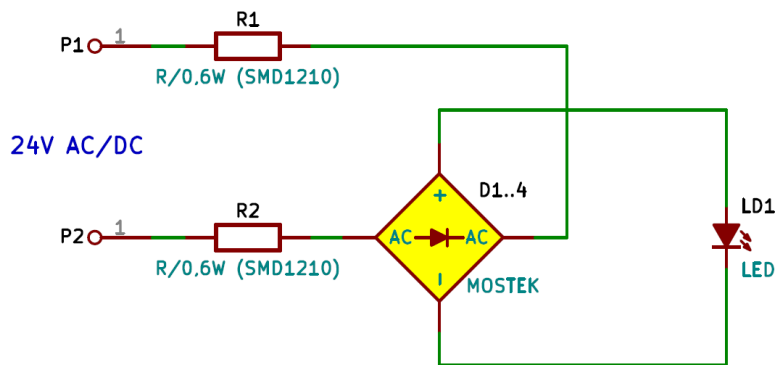
1. Product description :

The declaration is concerned about LED signal lamps produced for a number of voltage ranging 24V - 230V-AC/DC (24V; 30V; 48V; 60V; 110V-130V; 220V; 230V). The lamps are designed for electric accessories use.

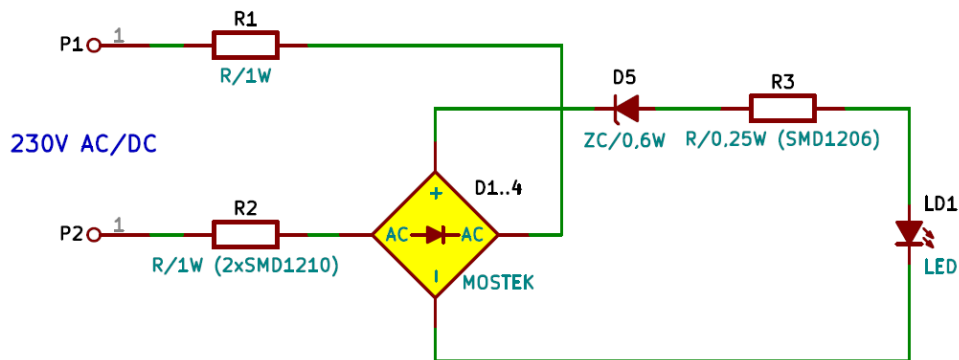
2. Technological documentation:

All the signal LED lamps are based on the following circuitry:

Full-wave rectifier (24V-AC/DC)



Full-wave rectifier (230V-AC/DC)



For 24V-AC/DC voltage, power consumption is 0,6 W and for 230V-AC/DC, it is 0,9 W.

- specialized LED bulbs BA15D

