

# POLAM-ELTA Sp. z o.o.

LED DIODES  
LED CONTROL LAMPS

[www.polamelta.com](http://www.polamelta.com)

e-mail: [polamelta@polamelta.com.pl](mailto:polamelta@polamelta.com.pl)

Jerozolimskie Avenue 202  
02-486 Warsaw, POLAND  
tel. (+48) 22-837-22-07  
fax (+48) 22-207-24-28



## COMPLIANCE DECLARATION NR13/07/2018

**Producer:** POLAM-ELTA Sp. z o.o.  
Jerozolimskie Avenue 202  
02-486 Warsaw

**KRS Nr:** 0000190790  
**REGON:** 001416903

We declare with a full responsibility that **LED signal lamps T5.5** we manufacture:

**LB , LG , LO , LR , LY , LW** (parameters in accordance with catalogue data) comply requirements imposed by:

- 1. Low Voltage Directive** **LVD 2014/35/UE**
- 2. Directive on the essential requirements for the restriction of the use of certain hazardous substances in electrical and electronic equipment** **ROHS 2011/65/UE**
- 3. The standard norms (relating to the particular parts of a product):**
  - PN EN 612 36:2002 Works under voltage – bipolar indexes Nn
  - PN-80/E-85050 miniature light bulbs of general use
  - PN-EN 983:2000 miniature light bulbs

**The year of obtaining CE sign: 07**

Warszawa 09-07-2018

.....  
*Place and date of issue*

**PREZES ZARZĄDU**

*Ireneusz Tonder*

.....  
*Name, position and signature of authorized person*

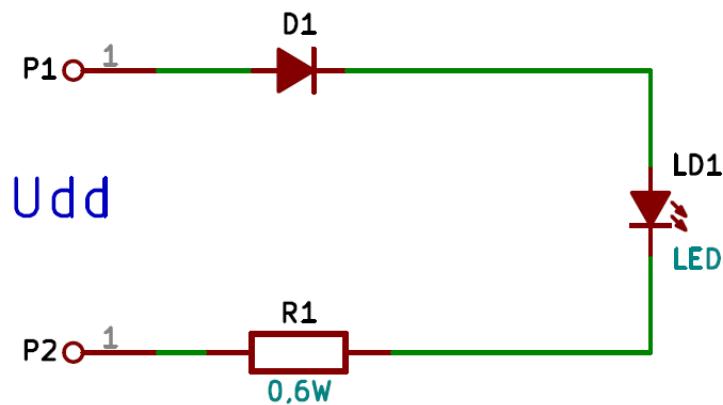
## 1. Product description:

The declaration is concerned about LED signal lamps produced for a number of voltage ranging 24V-AC - 60V-AC (24V; 30V; 48V; 60V) and 24V-DC – 60V-DC (24V; 30V; 48V; 60V). The lamps are designed for electric accessories use.

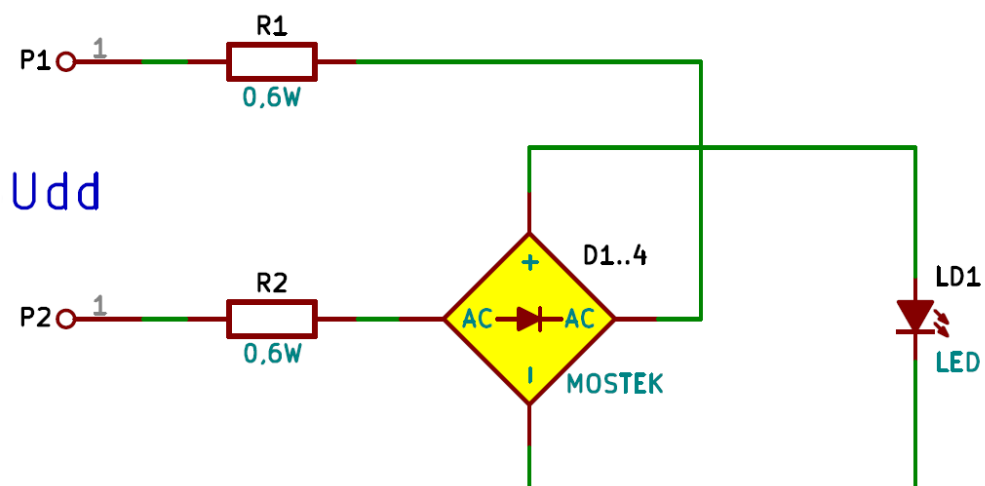
## 2. Technological documentation:

All the signal LED lamps are based on the following circuitry

### Half-wave rectifier (standard version)



### Full-wave rectifier (version for a special order with a higher price)



For 60V-DC voltage, power consumption is 0,5 W, for 24V-AC, it is 0,2 W and for 24V-DC, it is 0,5 W.

- signal lamp T5.5

